



SINCE 1989

WWW.CATAMARANS.COM

WORLD'S LARGEST CATAMARAN SITE

# BAREBOAT CHARTER - Gato Chateau - PRIVILEGE 455 Nanny Cay Marina, Tortola, British Virgin Islands

**Dealer of...**



TomCat Boats

Charter Promotions

A catamaran built for comfort, speed and elegance.



### SPACIOUS CABINS



### LUXURIOUS SALON



Phone: **1-800-262-0308** [Inquire >>](#)

### SAILING VACATION SEASONS AND RATES

	Dec 21- Jan 6 Jan 25 - April 7	Jan7 - Jan 24 April 8 - May 19	May 20 - July 28 Oct 25 - Dec 20	July 29 - Oct 24
<b>Weekly</b>	\$7500	\$6500	\$5500	\$4500

\$30 per day fuel charge, \$420 maximum

### HIGH PERFORMANCE SAILING

This excellent example of the modern day catamaran is sure to have yourself wishing you had one at the end of the vacation. Four very roomy queen sized cabins provide comfortable sleeping, and all ensuite. Boasting a well equipped galley and large salon area; even the adventurous chefs get to enjoy this masterpiece. Sailing performance is not to be overlooked on this cat, and she will match and outpace even the lightest of others on the water. Electric winches for the headsail certainly help those upwind days when tacking is a must. Even the music entertainment system is well thought out; with surround sound provided from the speakers a lot in the rigging.

### MAIN FEATURES

4 queen cabins, 4 heads	
Year:	2000
Length:	43'5"
Beam:	23'2"
Draft:	3'9"
Engines:	2x40hp
Water:	158 gallons
Fuel:	100 gallons
Sail area:	1195 sqft cruising
Maximum amount of guests:	8

Tel: 1800-262-0308 Tel: (284)494-0410 [www.catamarans.com](http://www.catamarans.com)



SINCE 1989

WWW.CATAMARANS.COM

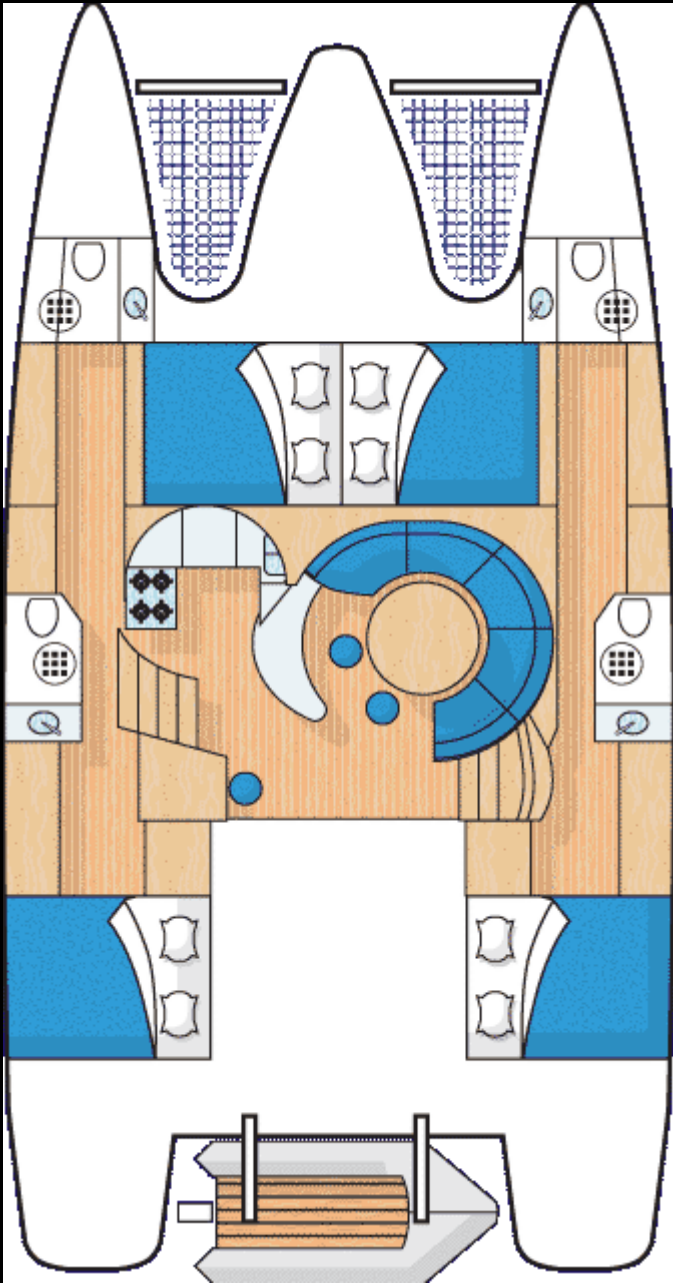
WORLD'S LARGEST CATAMARAN SITE

# BAREBOAT CHARTER - Gato Chateau - PRIVILEGE 455 Nanny Cay Marina, Tortola, British Virgin Islands

**Dealer of...**

Charter Version. Four Queen size cabins with four heads and showers  
Available Tortola, British Virgin Islands

## Layout

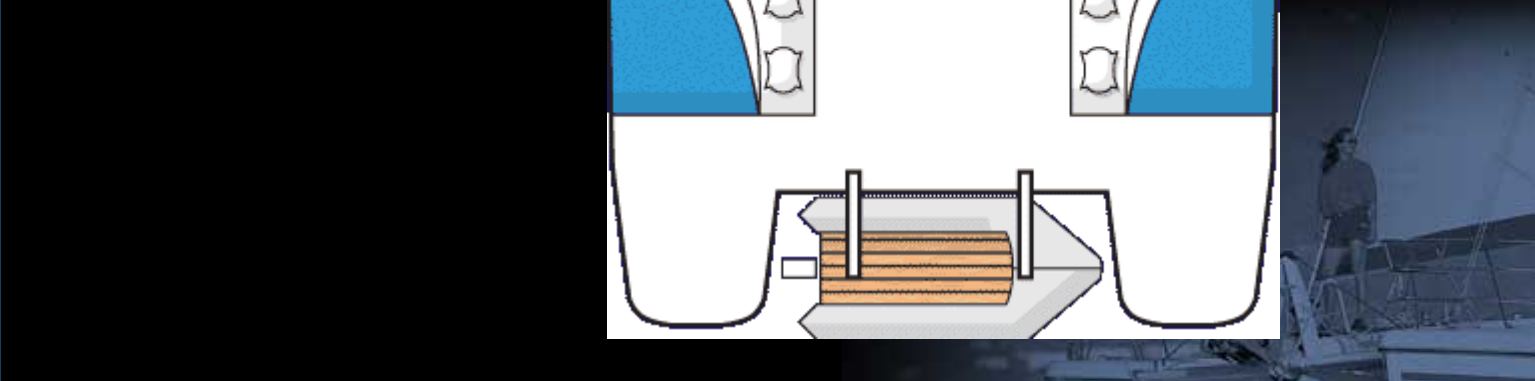


**LAGOON**  
Mid Atlantic & South East States

*Fountain Pajot*  
CATAMARANS  
Charter Management

**SUNREEF YACHTS**  
Luxury Yacht Chartering

*TomCat Boats*



## Specs

### MAIN FEATURES

Model:	Privilege 455
Year:	2000
Length:	43'5"
Beam:	23'2"
Draft:	3'9"
Engines:	2x40hp Yanmar Saildrive with 2 blade props
Water:	158 gallons
Fuel:	100 gallons
Sail area:	1195 sq ft
Average interior headroom	6.6ft
Electrical:	110V US style outlets, 12V
Maximum amount of guests:	8
Location:	Tortola, British Virgin Islands

## Accommodations

Cabins:	Four identical queen size cabins
Heads:	Four heads and showers.
Salon Height	6.6ft
Forward port cabin Bed size	6.4ft/5.08ft
Forward starboard cabin bed size	6.4ft/5.08ft
Aft port cabin bed size	6.4ft/5.1ft
Aft starboard cabin bed size	6.4ft/5.1ft

## DECK FITTINGS

Helm station at coach roof with wheel & double bench  
 Leather wheel cover  
 Double anchor bow roller  
 Deck hatches above aft cabins  
 Deck shower with swim ladder with handles  
 Genoa furler system  
 1500 W electrical windlass  
 Two stainless steel davits  
 FWD bow pulpits with teak seat  
 2 ST electrical winches for genoa and mainsail on roof  
 Sun tanning mattresses  
 Cockpit cushions with back seat  
 St/Steel bimini with front window  
 Covers on windshields

## INSIDE LAYOUT

2000W Inverter  
 Beachwood  
 Complete set of curtains  
 Oven and three burners stove all gas  
 Electric Coffee Pot  
 120 L 12 V Fridge in the galley  
 12 V Fridge in the gangway

## ENGINES/PROPELLERS

Twin 40 hp engines Volvo S- Drive  
 Twin fixed 3 blade propellers

## ELECTRONICS

At helm station:  
 Navigation station Raytheon ST 60  
 Binoculars  
 Radar/plotter/GPS (chip not included)  
 Autopilot  
 At Charter Table:  
 VHF  
 Navstation repeater  
 Radio Cassette CD Changer and speakers in salon, cockpit and spreaders .

## CHARTER GEAR

Radio Cassette CD Changer/CD Player, Coffee Percolator, Linens/Towels (except beach towels), Snorkeling fins, First Aid Kit, Navigation and tool kit, Local cruising guide & local charts, Head and Galley cleaning kit, Binoculars and life jackets, Fully equipped galley, water & outboard gas/oil, Stanchion- mounted charcoal barbecue, Dinghy & outboard

**The Catamaran Company is the world's largest exclusive retailer, reseller, operator, broker and charter operator of catamarans. Lagoon has honored The Catamaran Company as its best World Dealer and Power Catamaran distributor, confirming its international status as the #1 source of quality sailing and power catamarans in both Europe and North America for 2004, and sailing catamarans for 2005. Our Yacht Ownership Program also accepts any model built by any manufacturer and may have the vessel equipped to his particular specifications. Unlimited owner's time is permitted.**

